

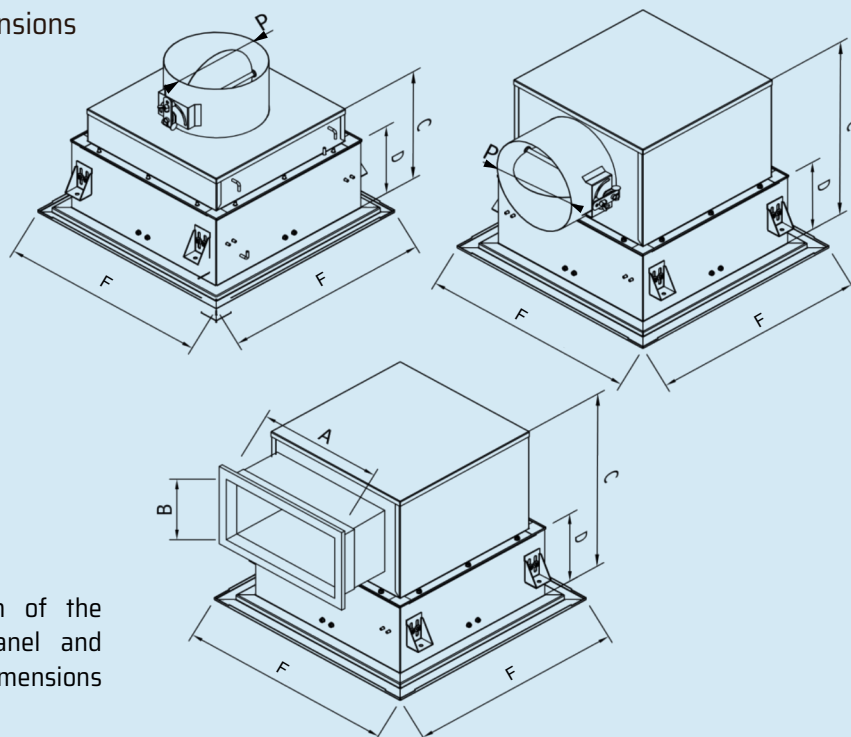
Filtration extensions



Filtration extensions are the end elements of air ventilation and are designed to house HEPA filters. The extensions can be mounted in a cassette or panel ceiling. The standard version is made of galvanized metal with RAL 9010 finish. However, the colour can be chosen by the client. It can also be made of stainless steel. The extensions are equipped with connection points for measuring the air pressure and the tightness of the filter.

Connection to the HVAC system can be secured by a round connector or a square flange in either horizontal or vertical direction. The extensions are fitted with a control flap in the standard design for air flow control. It is also possible to supply a flap in tight design with a rubber seal. The control of the flap can be from the space above the ceiling, upon request it can also be controlled from the space below the ceiling.

Filtration extensions - dimensions

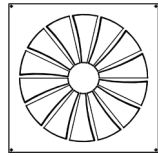


The overall outer dimension of the extension (F) differs for panel and cassette ceiling versions. Dimensions can be sent upon request.

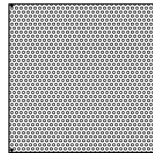
Extensions	HEPA filter dimensions (mm)	Side circular air intake			Upper circular air intake			Side air intake with rectangular flange		
Rozměr dle typu pohledu (mm)		Diameter	Filtration body height	Extension height	Diameter	Filtration body height	Extension height	Diameter	Filtration body height	Extension height
		P	D	C	P	D	C	AxB	D	C
FN 575 625x625 / 600x600	575x575x78	250	160	460	250, 315	160	280	550x100	160	383
	575x575x117	250	180	480	250, 315	180	300	550x100	180	420
FN 457 625x625 / 600x600	457x457x78	200, 250	160	460	200, 250	160	280	400x100	160	383
	457x457x117	200, 250	180	480	200, 250	180	300	400x100	180	420
FN 305 625x625 / 600x600	305x305x78	160, 180	160	410	160, 180	160	280	250x100	160	383
	305x305x117	160, 180	180	430	160, 180	180	300	250x100	180	420

The listed dimensions serve as examples. Others can be selected as required.

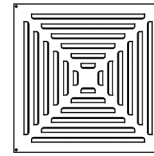
Outlet types



V1 575, 457



PR 575, 457, 305



FR 575, 457

HEPA filters

Frame size	Frame height	Filtration class	Medium height	Initial pressure loss	Flow velocity	Flow volume	Extension type
mm	mm			Pa	m/s	m3/hod.	
575/575	78	H13	2" (50 mm)	150	0,58	600	V1 / PR/ FR
		H14		150	0,47	480	V1 / PR/ FR
575/575	117	H13	3" (80 mm)	150	0,71	730	V1 / PR/ FR
		H14		150	0,58	600	V1 / PR/ FR
575/575	117	H13	4" (100 mm)	150	0,8	830	V1 / PR/ FR
		H14		150	0,68	700	V1 / PR/ FR
457/457	78	H13	2" (50 mm)	150	0,58	360	V1 / PR/ FR
		H14		150	0,47	290	V1 / PR/ FR
457/457	117	H13	3" (80 mm)	150	0,71	450	V1 / PR/ FR
		H14		150	0,58	360	V1 / PR/ FR
457/457	117	H13	4" (100 mm)	150	0,8	520	V1 / PR/ FR
		H14		150	0,68	430	V1 / PR/ FR
305/305	78	H13	2" (50 mm)	150	0,58	150	PR
		H14		150	0,49	125	PR
305/305	117	H13	3" (80 mm)	150	0,7	175	PR
		H14		150	0,58	145	PR